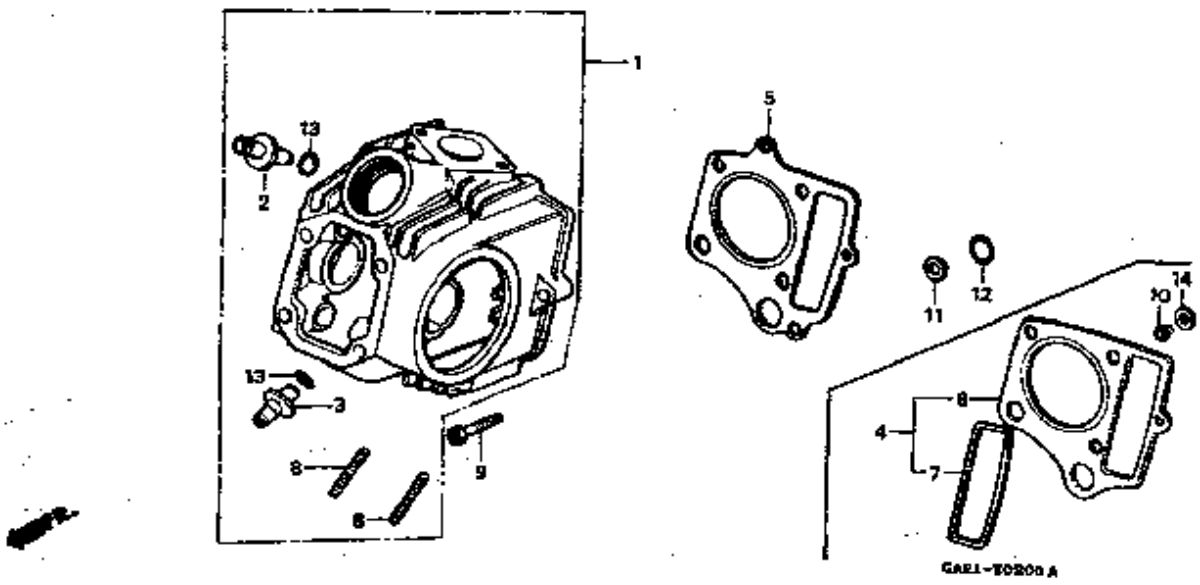


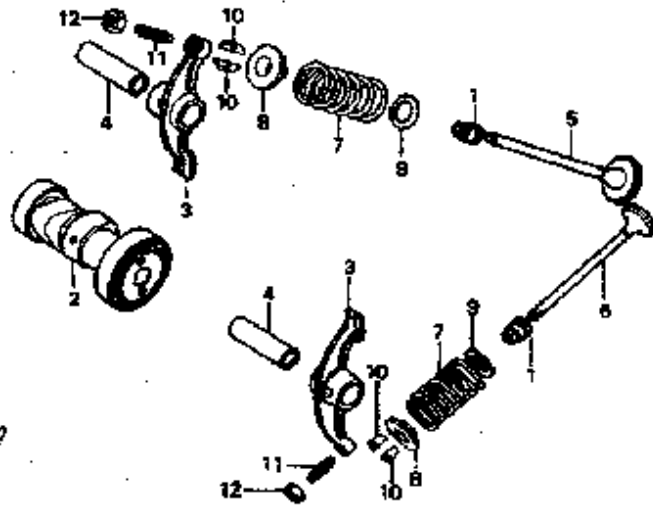
GAR1-E0200 A



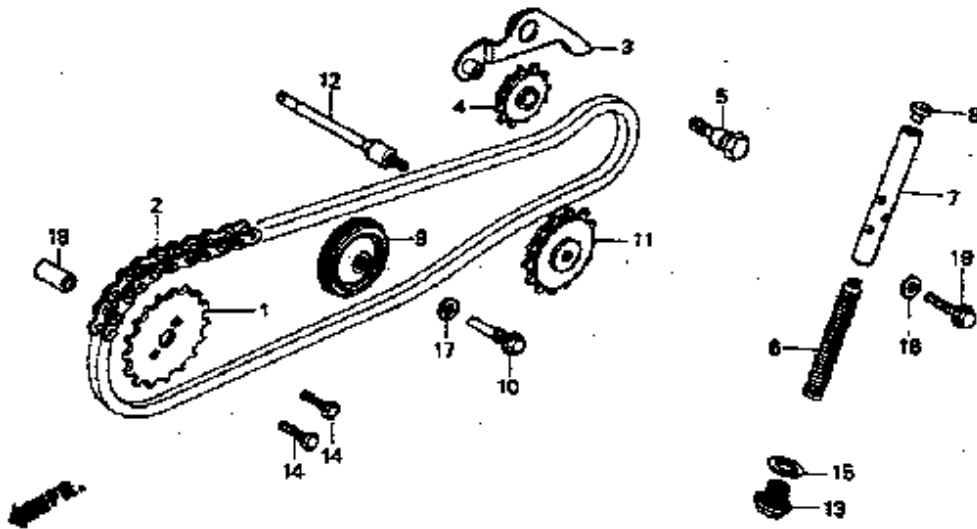
GAR1-E0200 A



<http://www.fullgas4strokesquad.be>



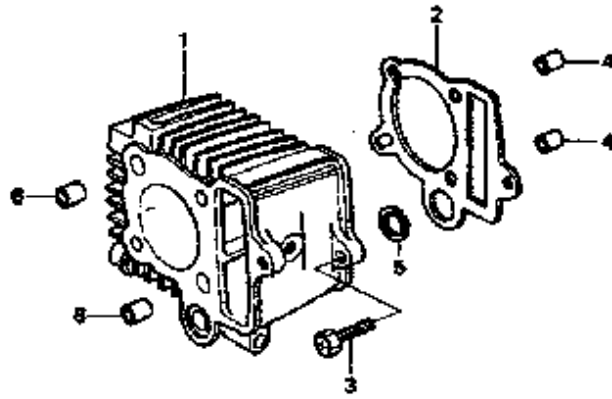
GAR1-E0900



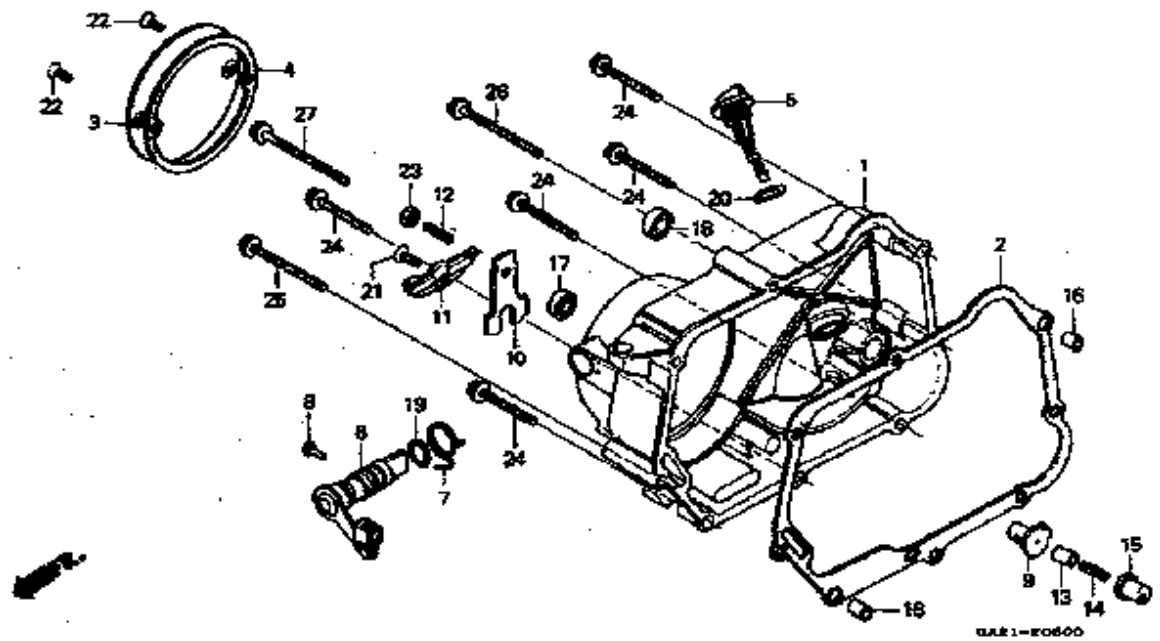
GAR1-E0400 A



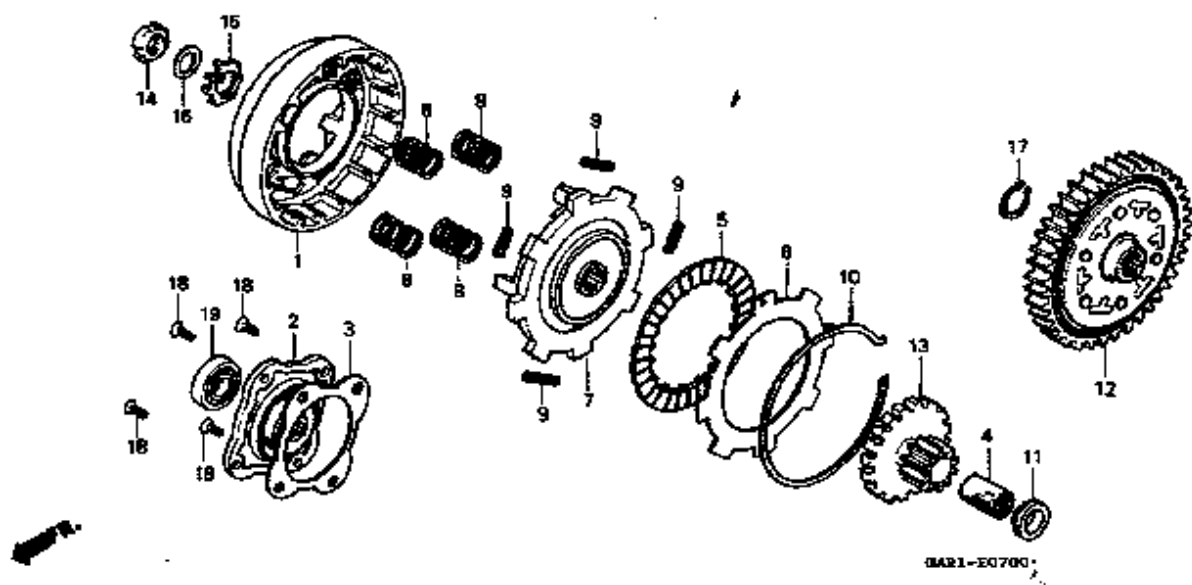
<http://www.fullgas2strokesquad.be>



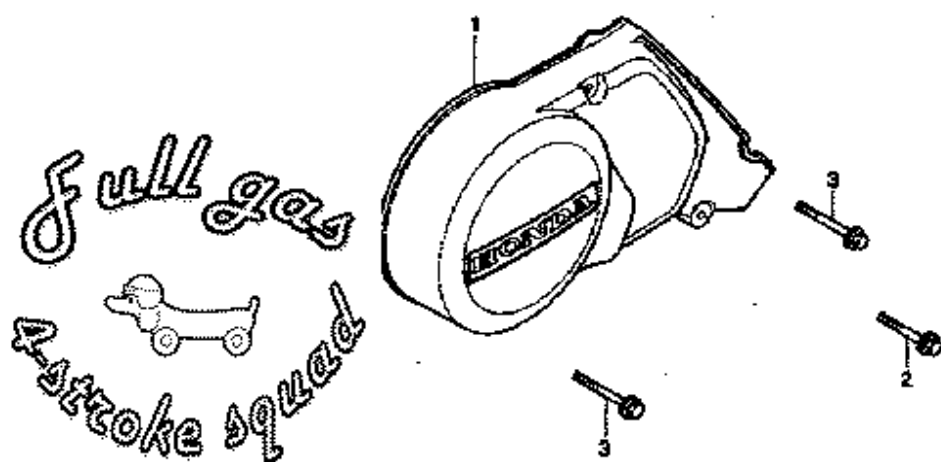
0AR1-20800



0AR1-20800



0A21-EC700



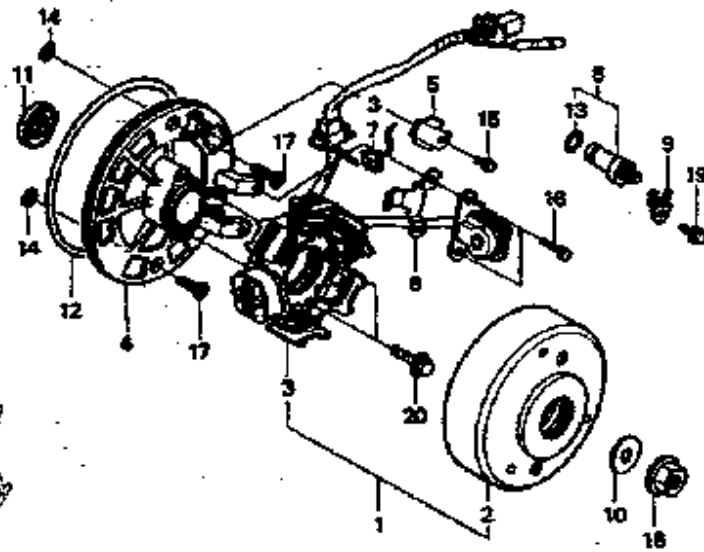
<http://www.fullgas4strokesquad.be>

0A21-EC800

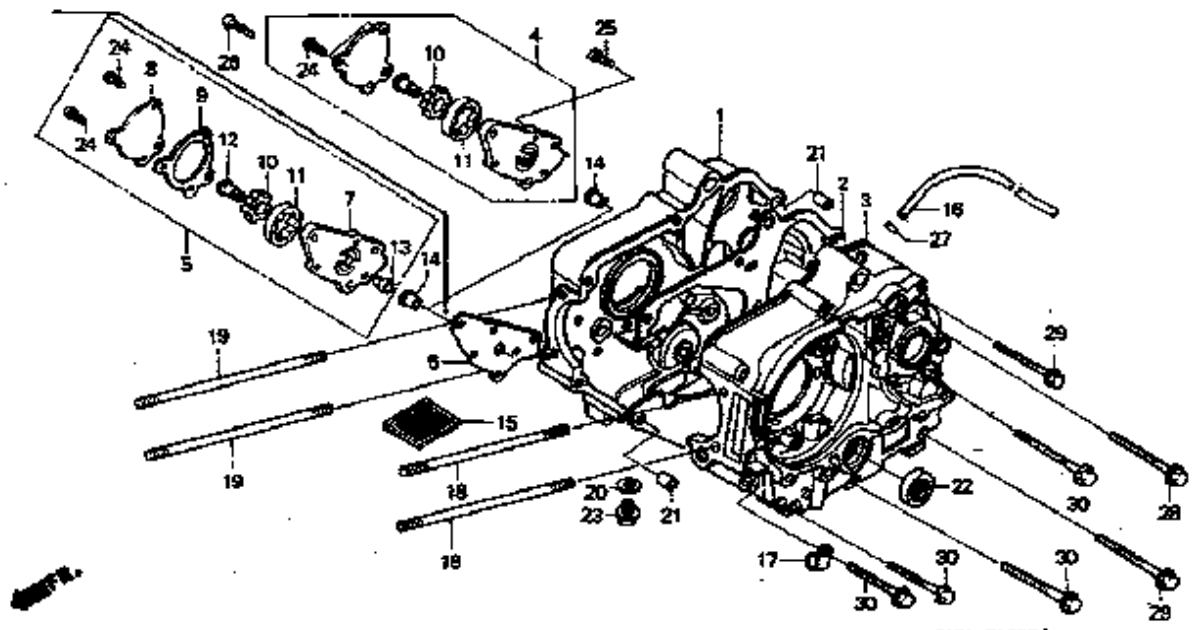
Full Gas

 2-Stroke Squad

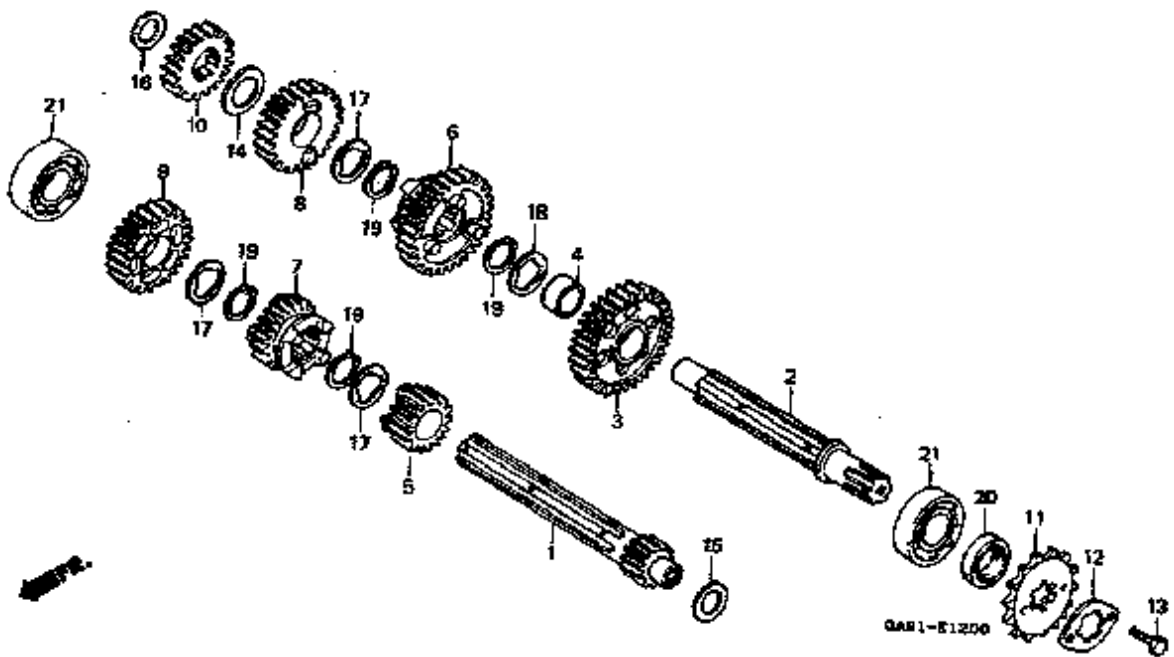
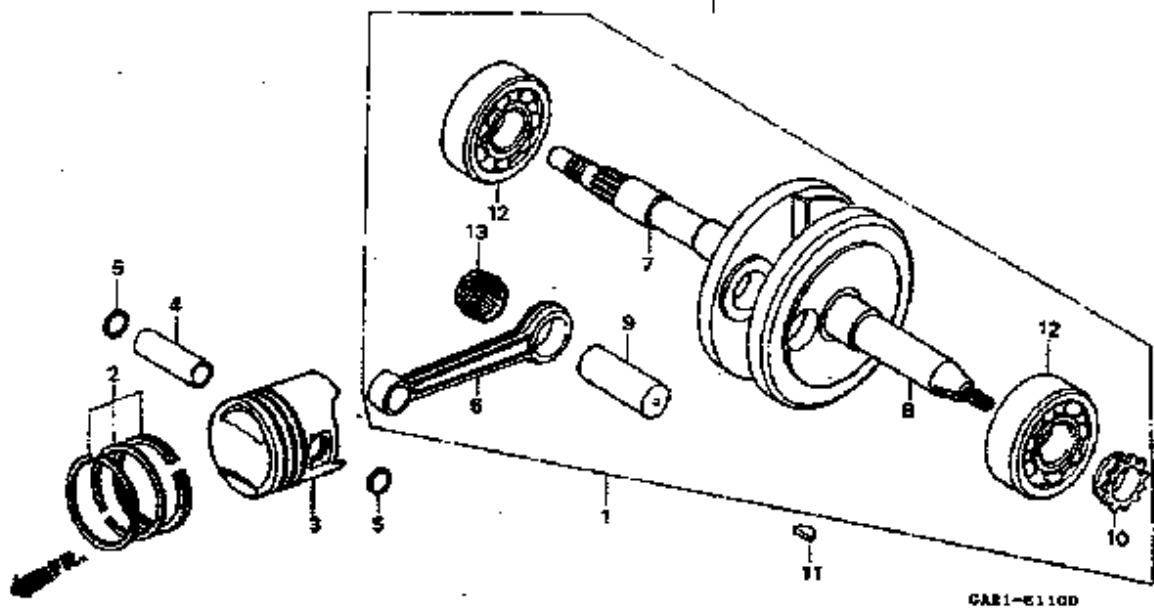
<http://www.fullgas2strokesquad.be>

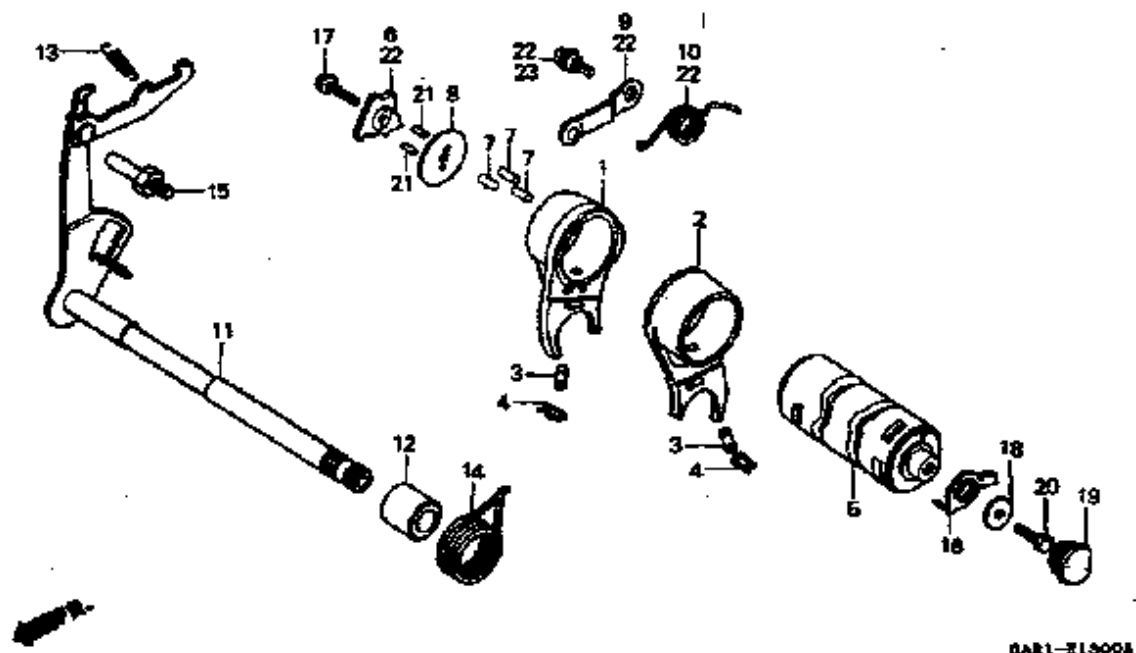


GA21-E0000 J

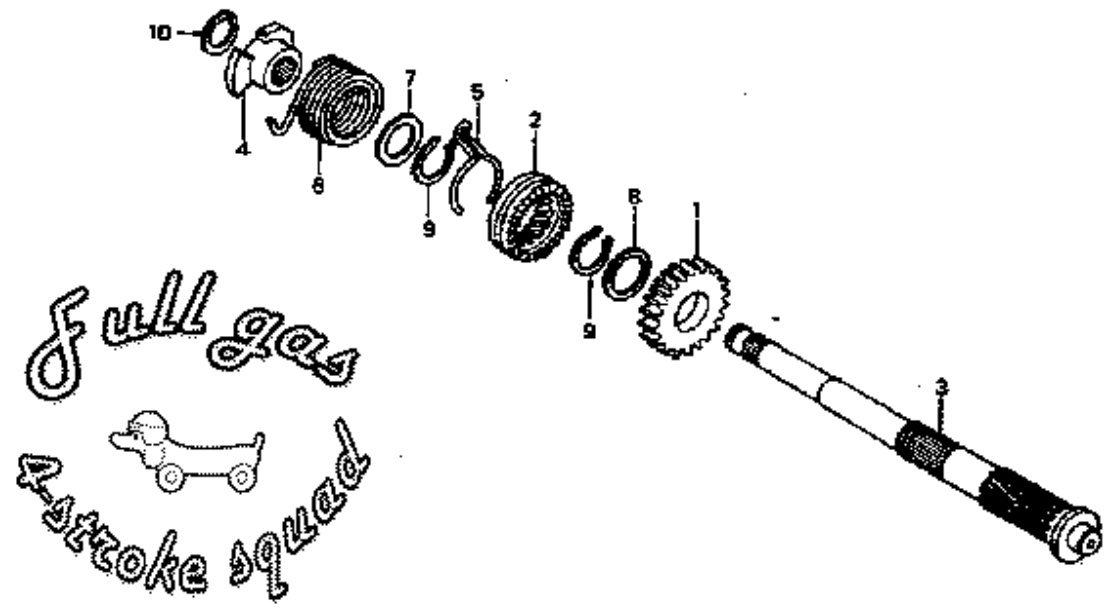


GA21-E1900 A



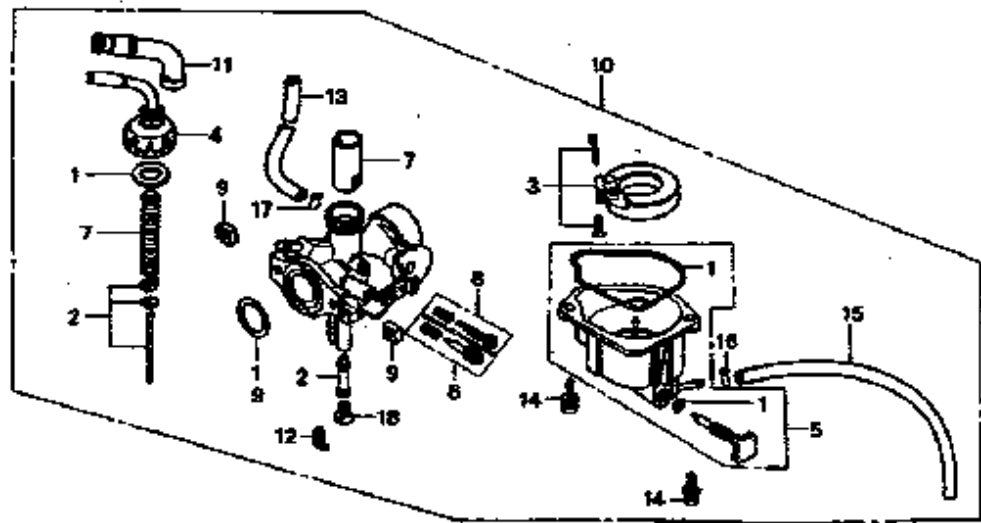


GAR1-21300A

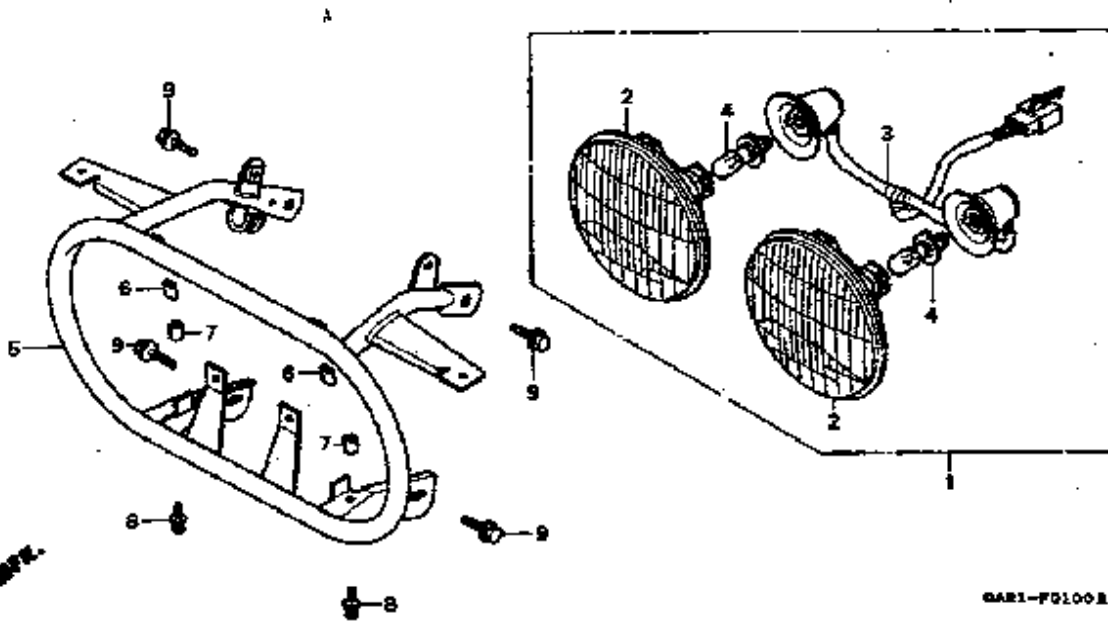


<http://www.fullgas4strokesquad.be>

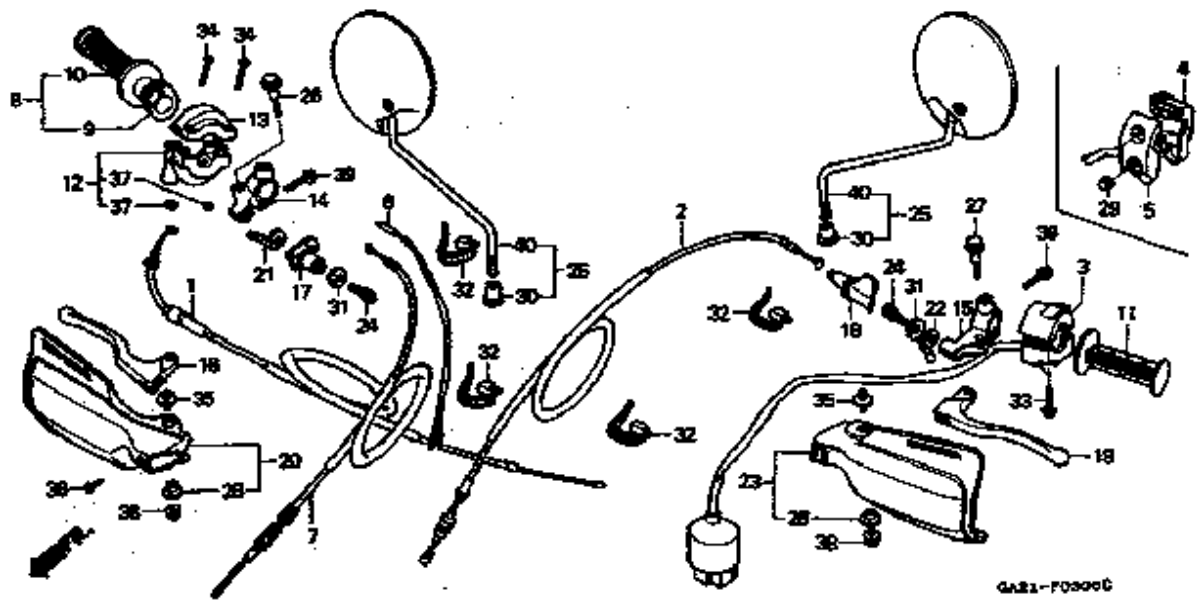
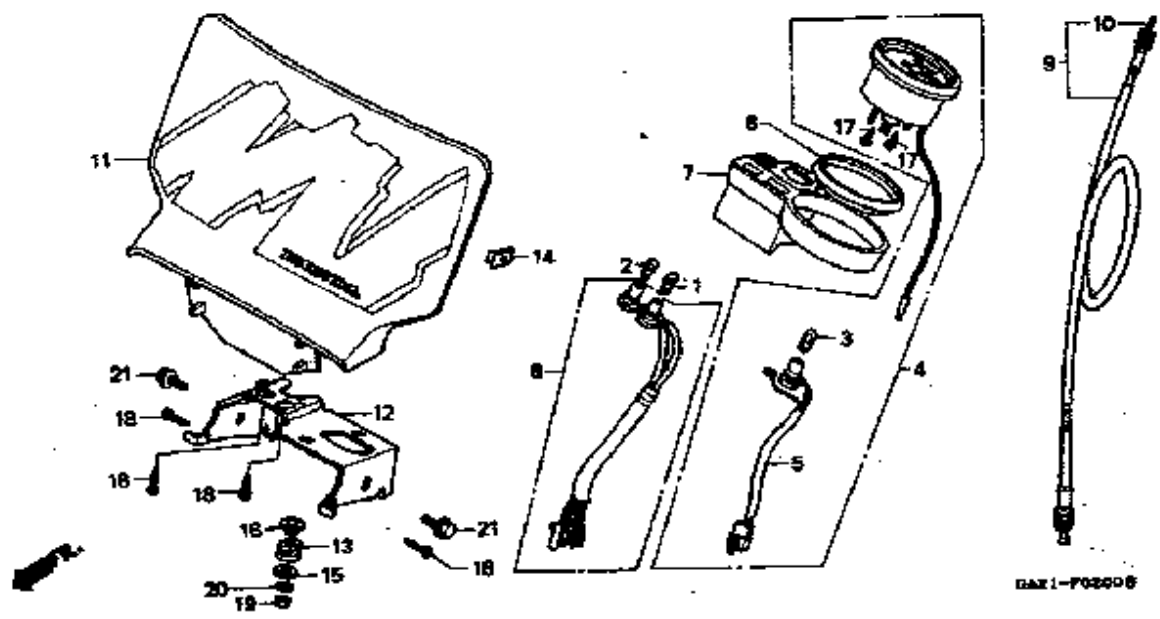
GAR1-51400

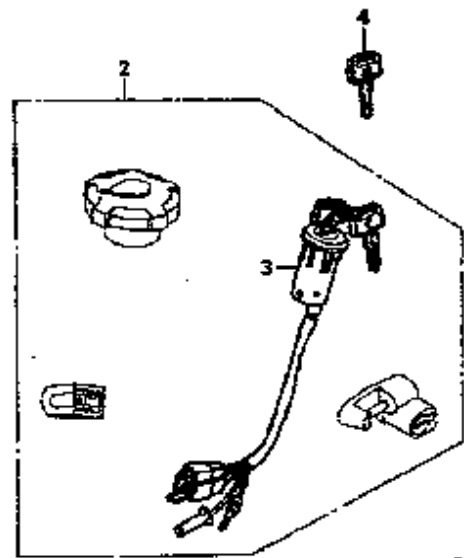
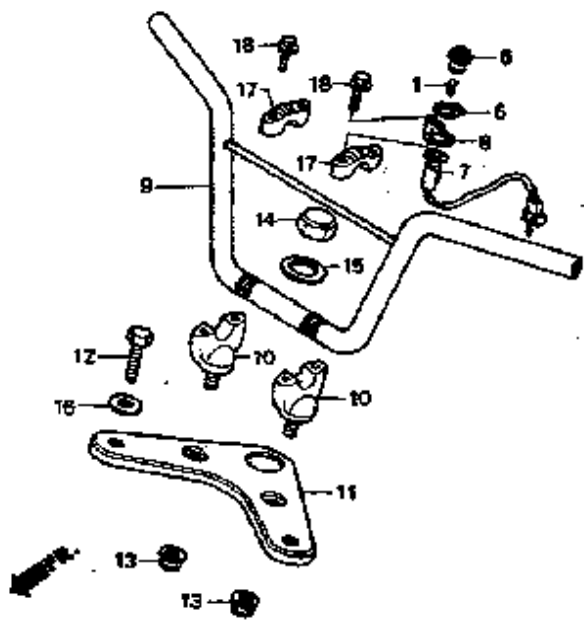


GAR1-E1600B



GAR1-F0100B

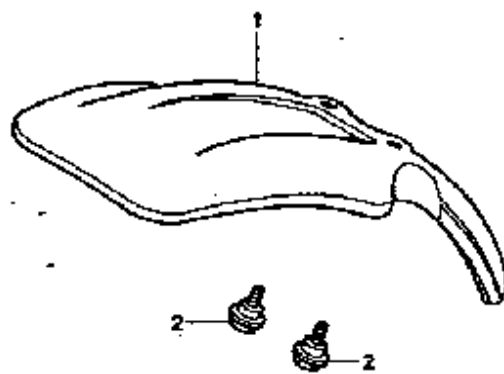




0AR1-70400E



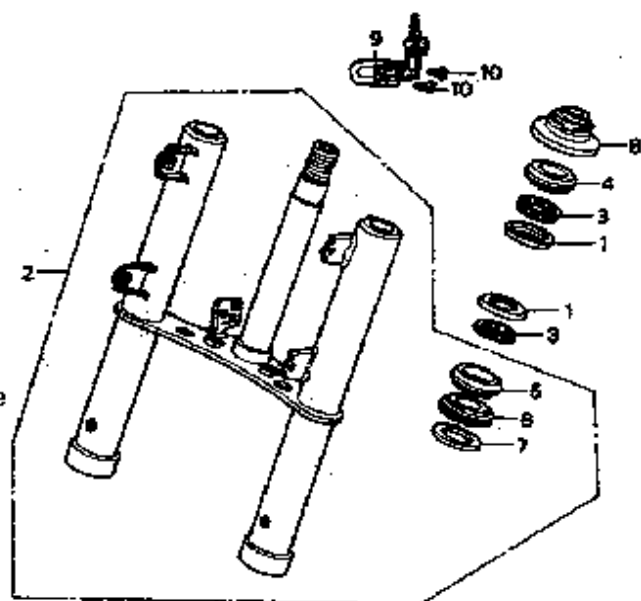
<http://www.fullgas4strokesquad.be>



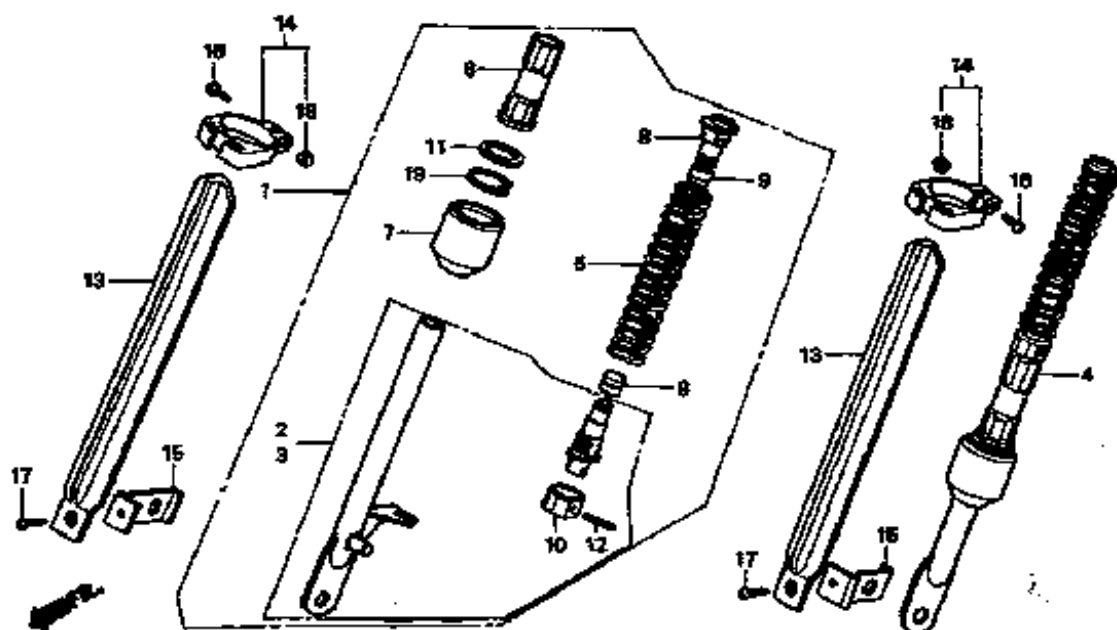
0AR1-70600



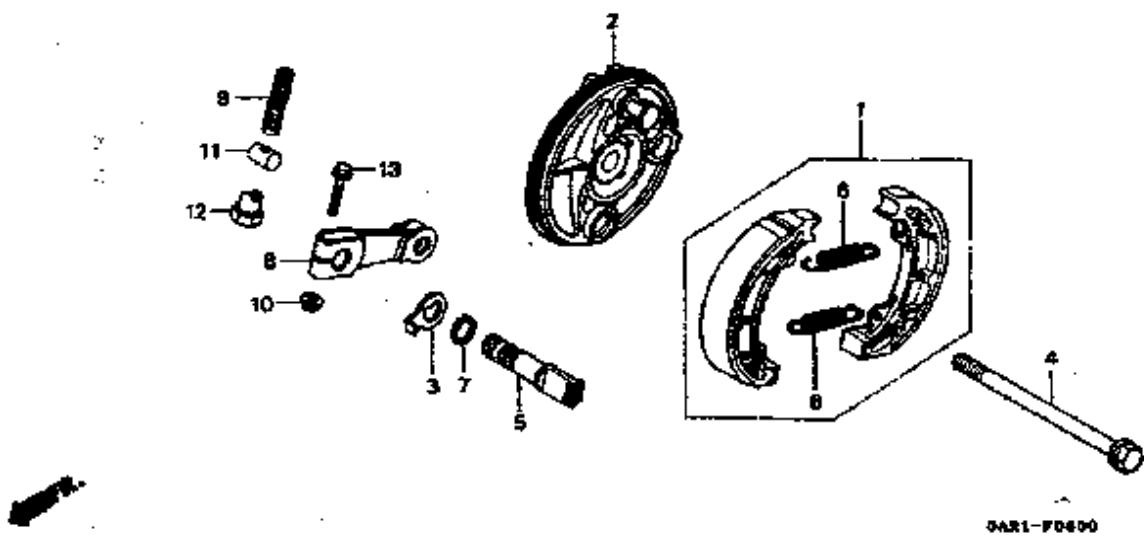
<http://www.fullgas4strokesquad.be>



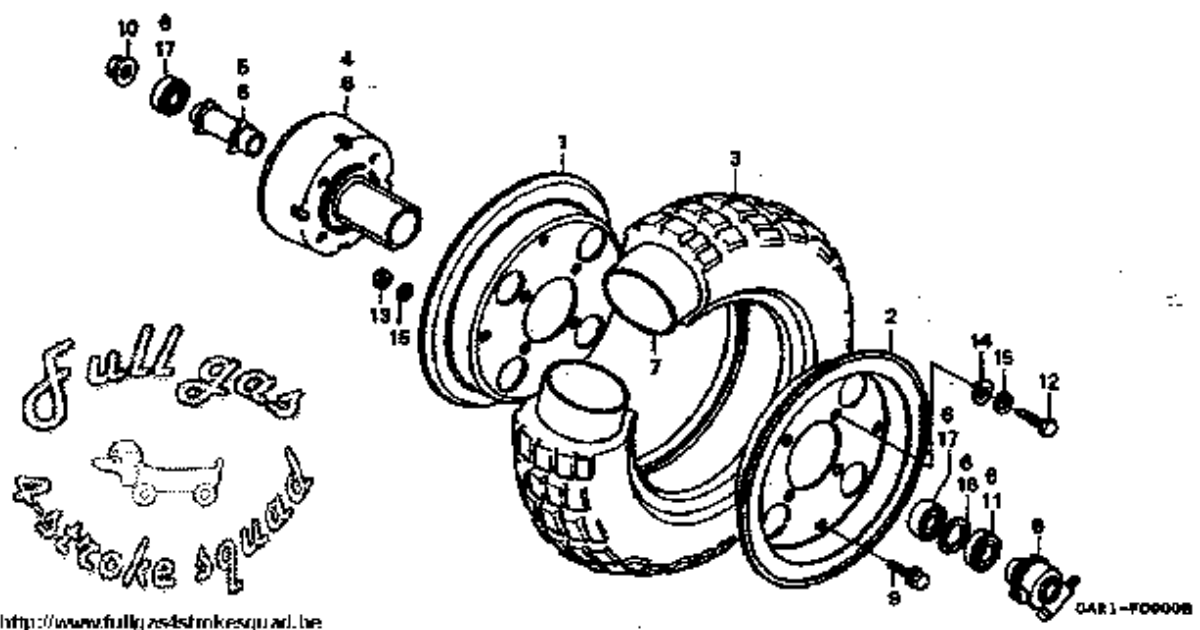
0AK1-7000A



0AK1-70700B



0AR1-F0600



0AR1-F09008

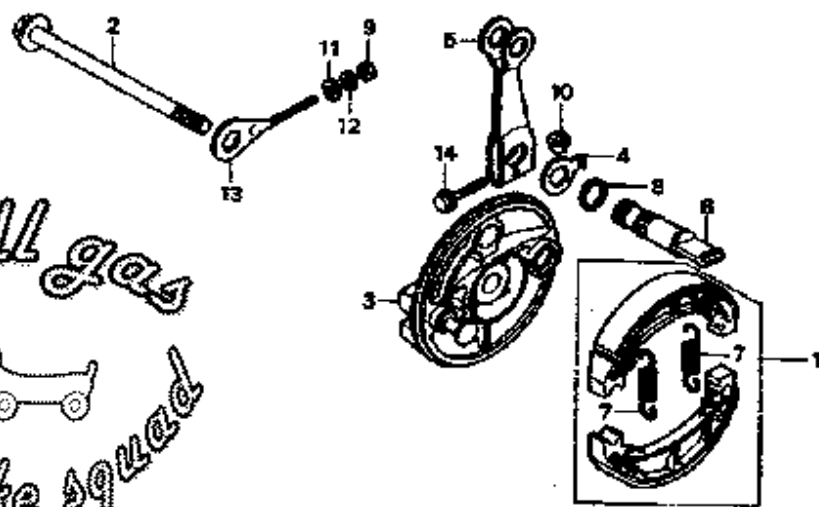
Full Gas

 Pittoke Squad

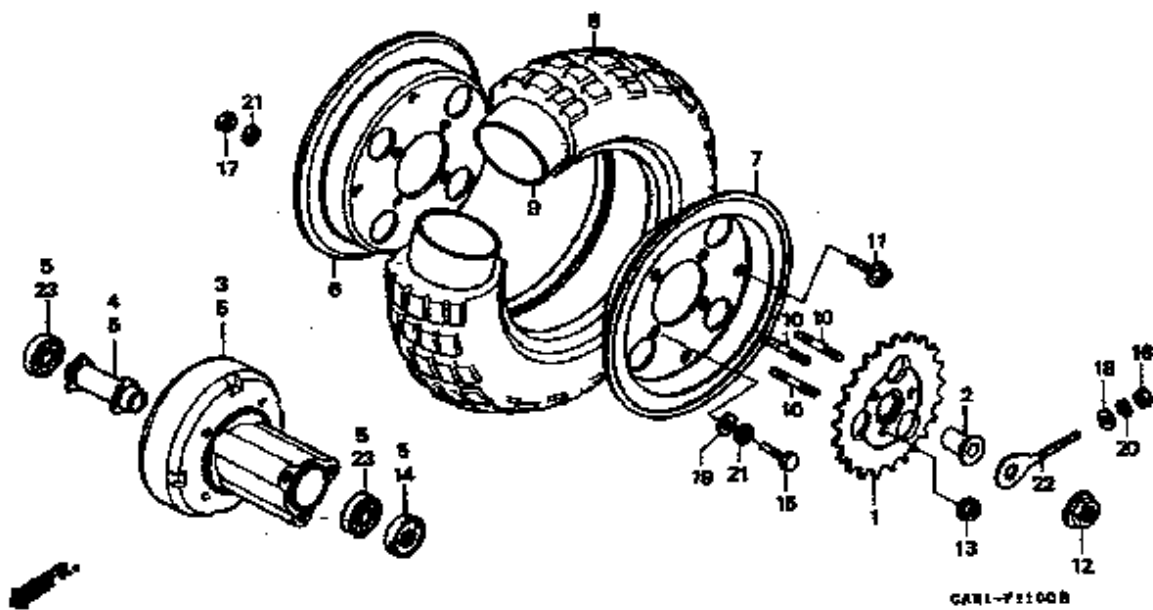
<http://www.fullgas44strokesquad.be>



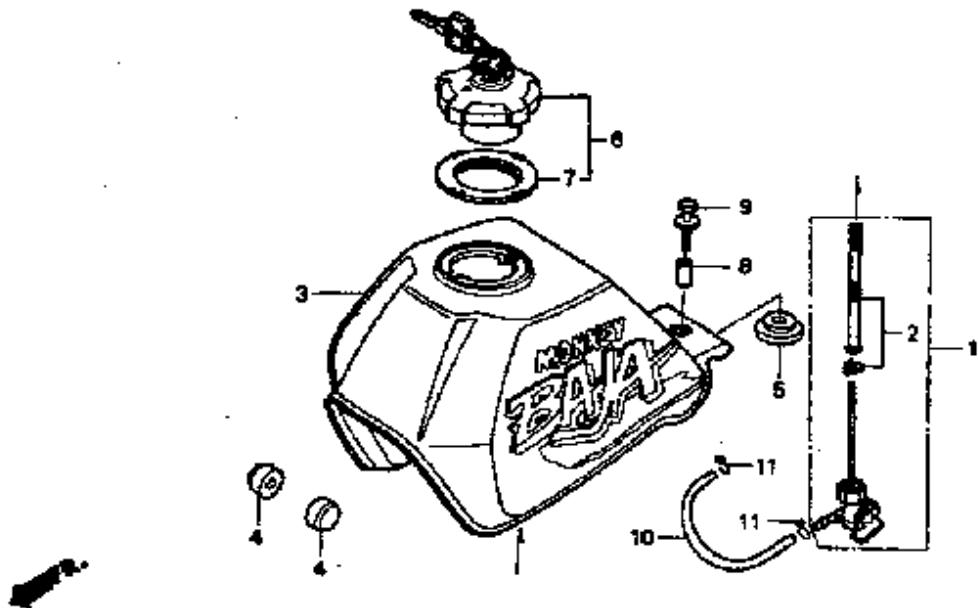
<http://www.fullgas4strokesquad.be>



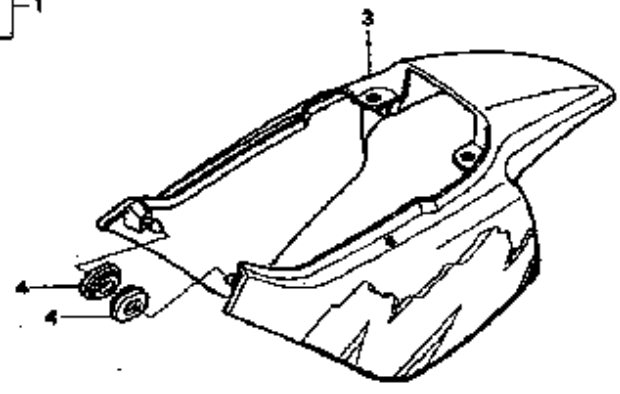
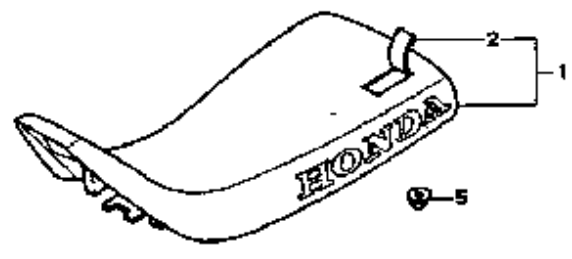
GARL-F1000



GARL-F1000 B



GAR1-F1200A



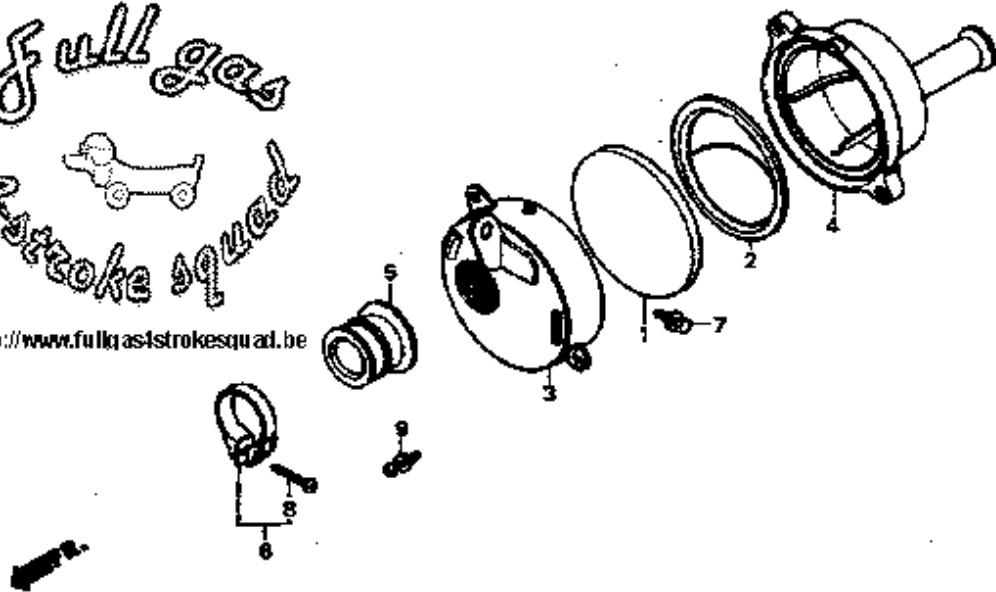
Full gas

GAR1-F1300

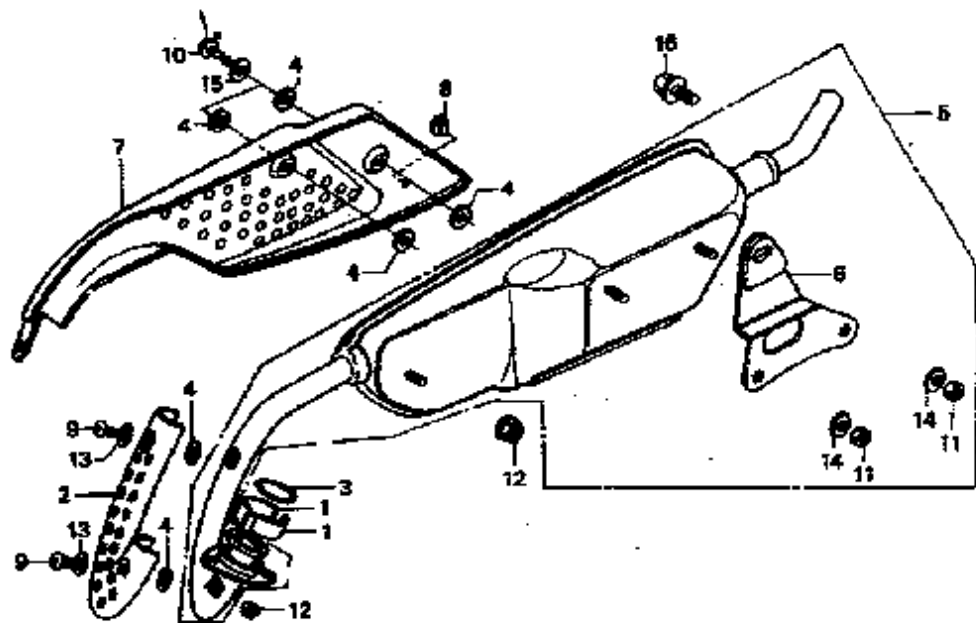
Full gas
Stroke Squad



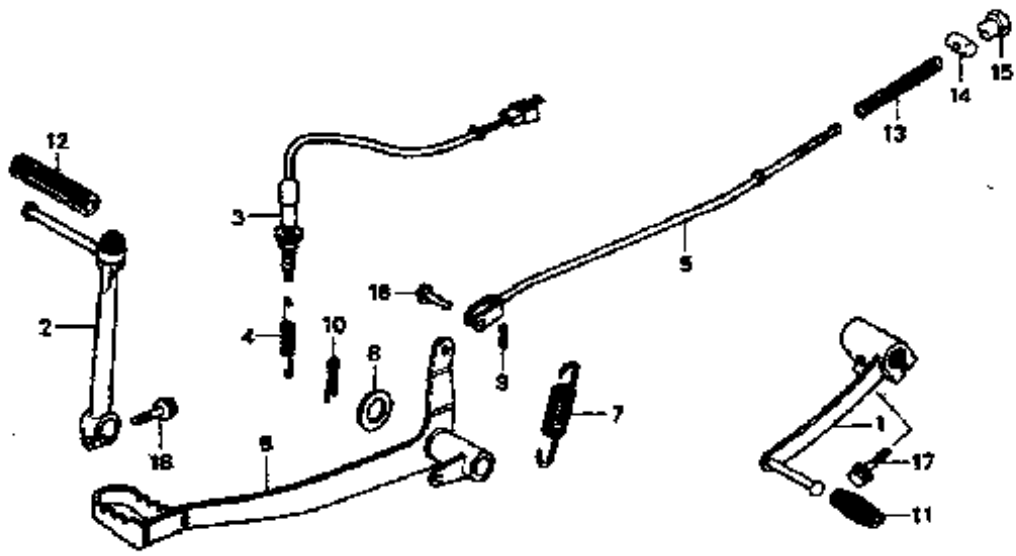
<http://www.fullgasstrokesquad.be>



GAR1-F1400 A



GAR1-F1800 A



GAR1-F1500A

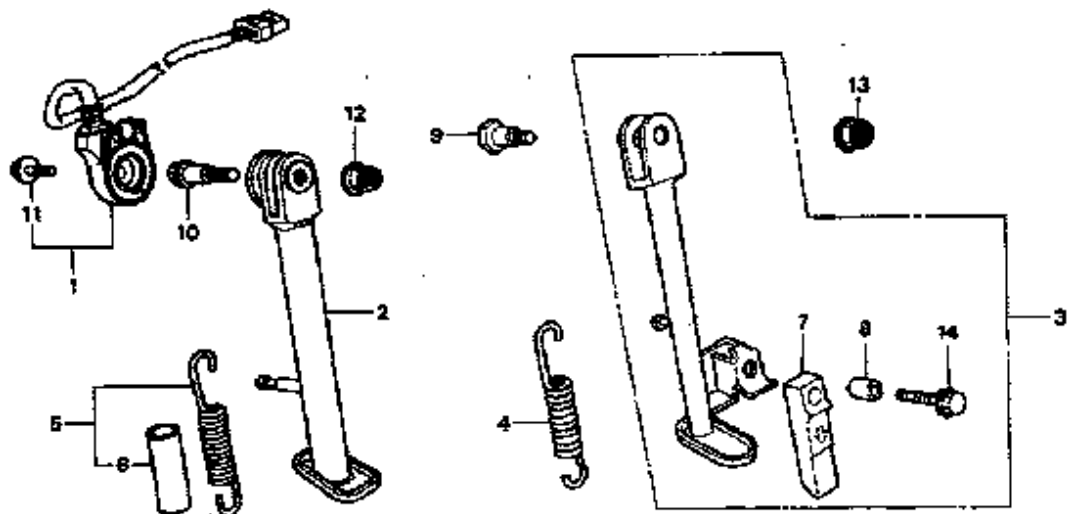


Full gas

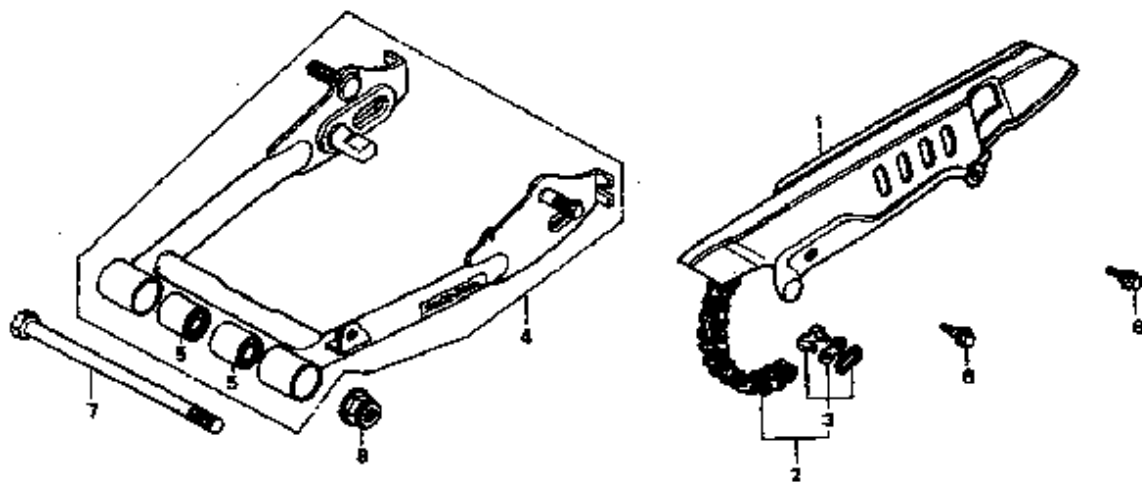
 stroke squad

<http://www.fullgasstrokesquad.be>

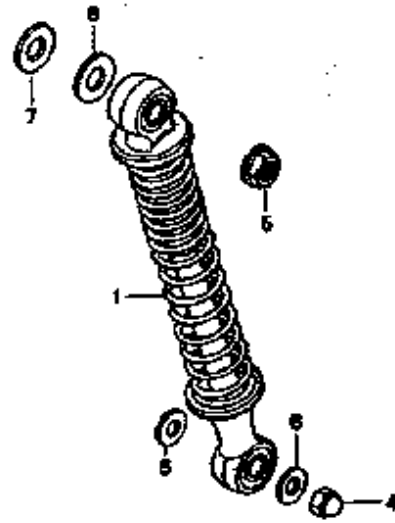
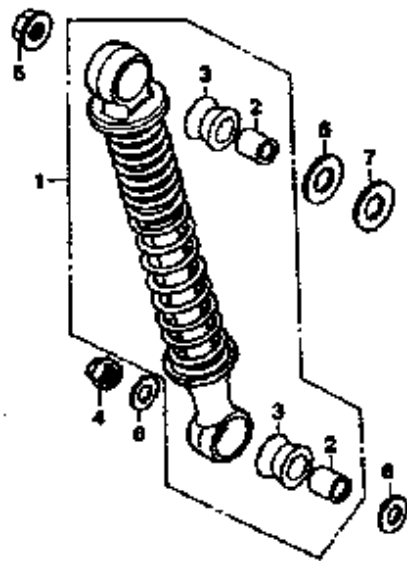
GAR1-F1700



GARI-F1800B



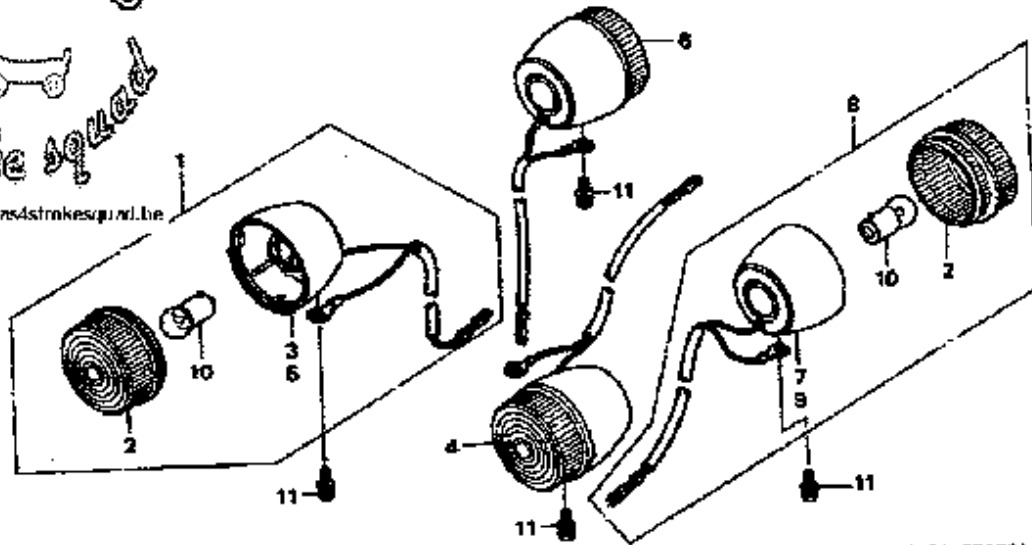
GARI-F1800A



GAR1-FE000



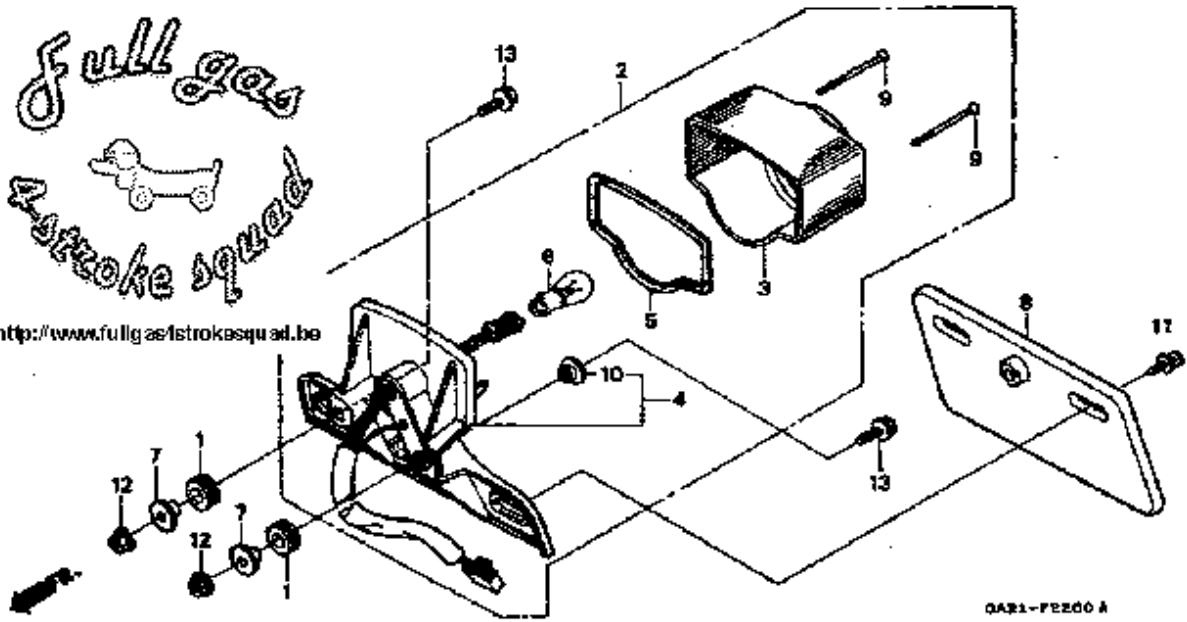
<http://www.fullgas4strokesquad.be>



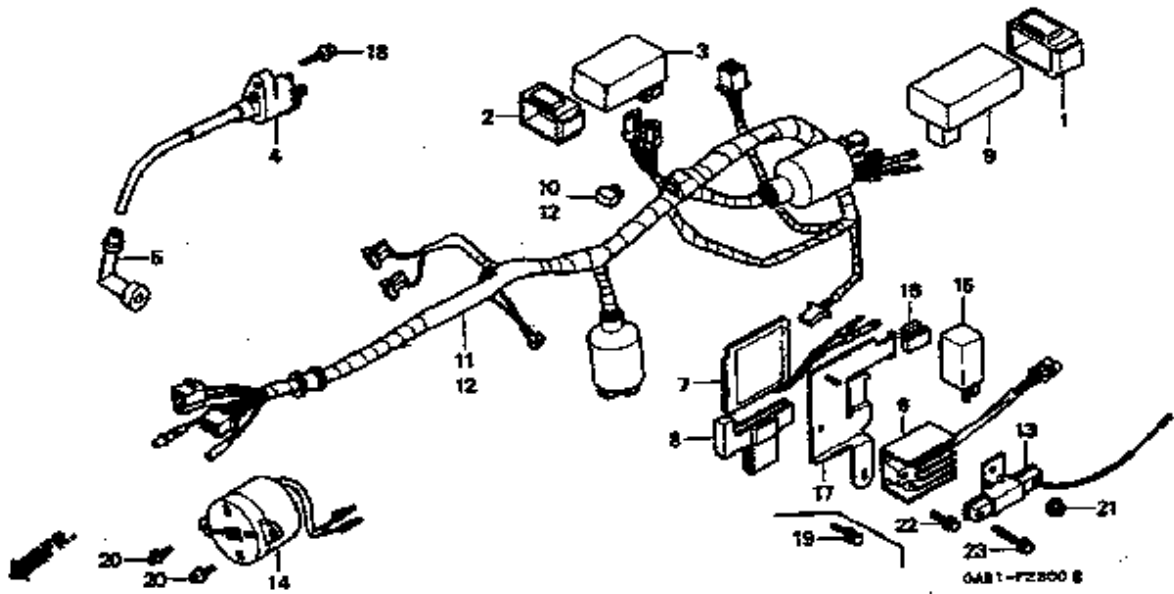
GAR1-FZ100A

Full Gas
AstroSquad

<http://www.fullgasastroquad.be>



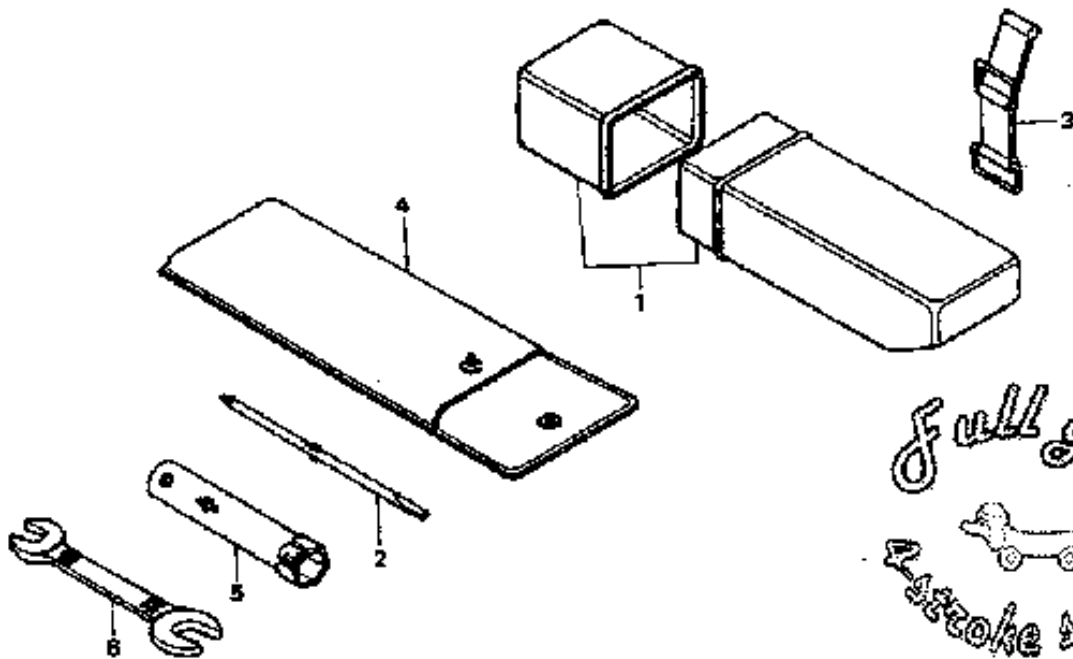
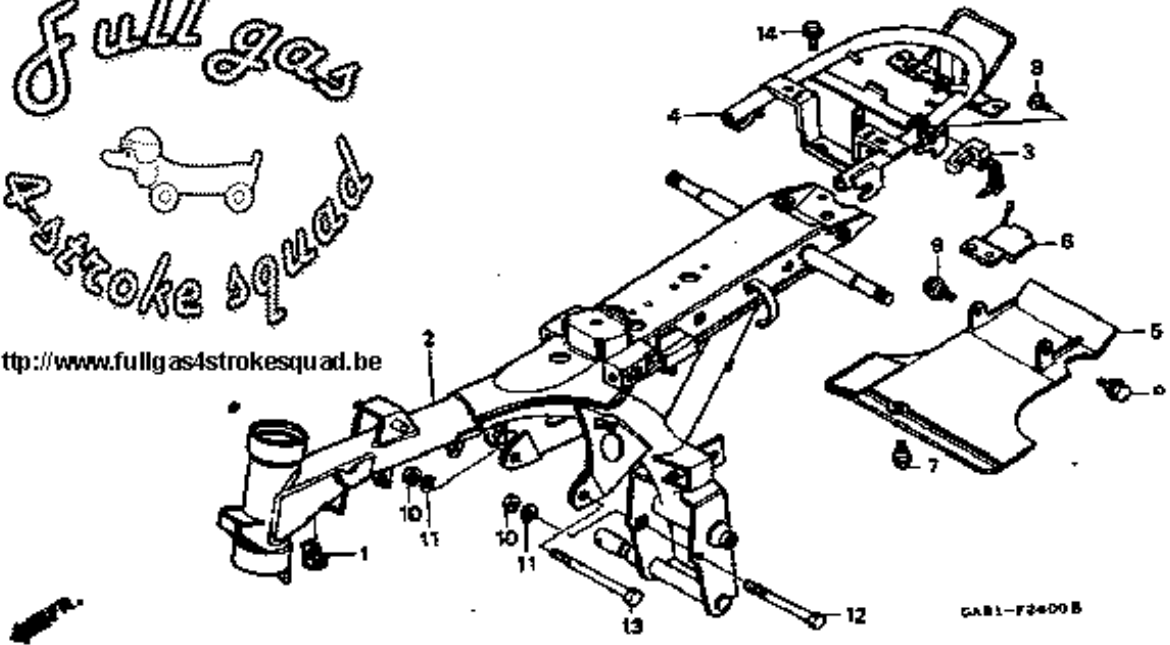
QAR1-FE200 A



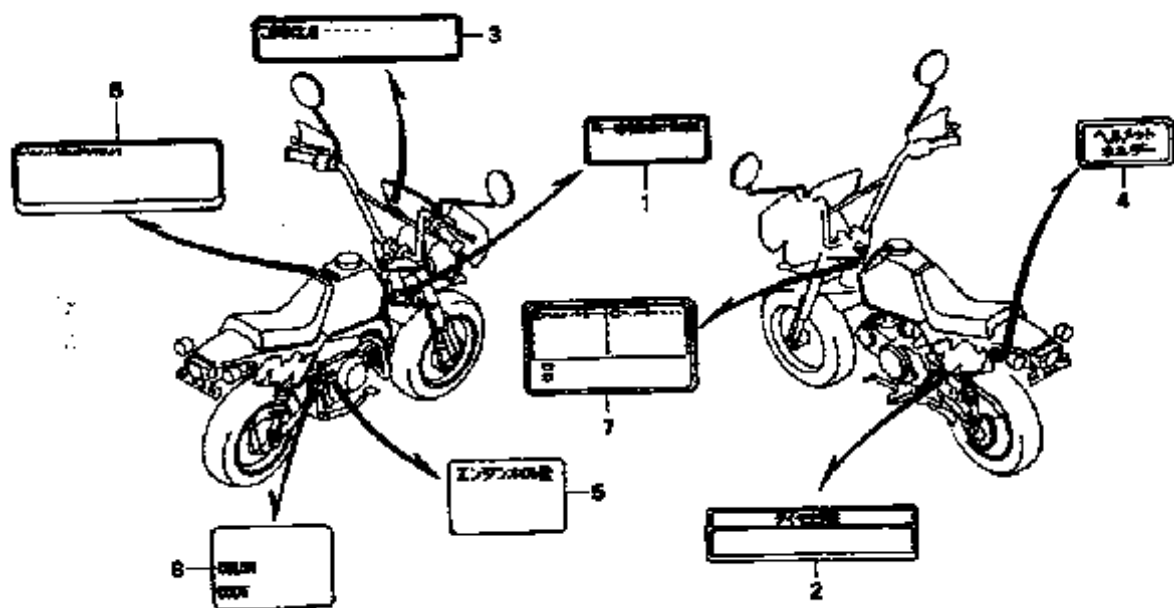
QAR1-FE200 B



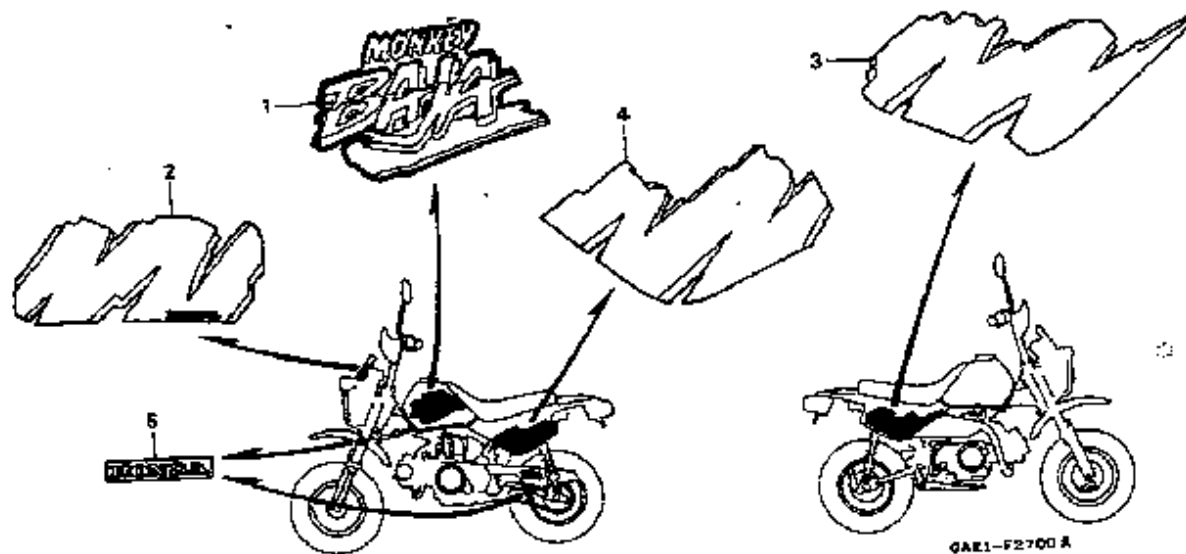
<http://www.fullgas4strokesquad.be>



<http://www.fullgas4strokesquad.be>



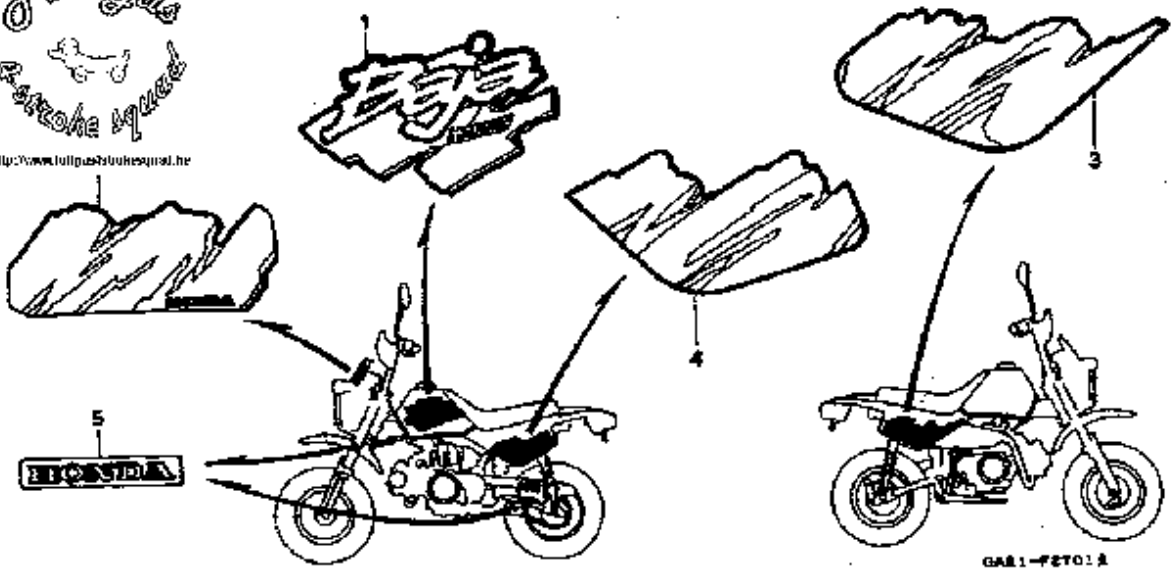
QAE1-F2600 A



QAE1-F2700 A

Full gas
Pinstroke Squad

<http://www.fullgasstrokesquad.net>



HONDA

GAR1-PT012